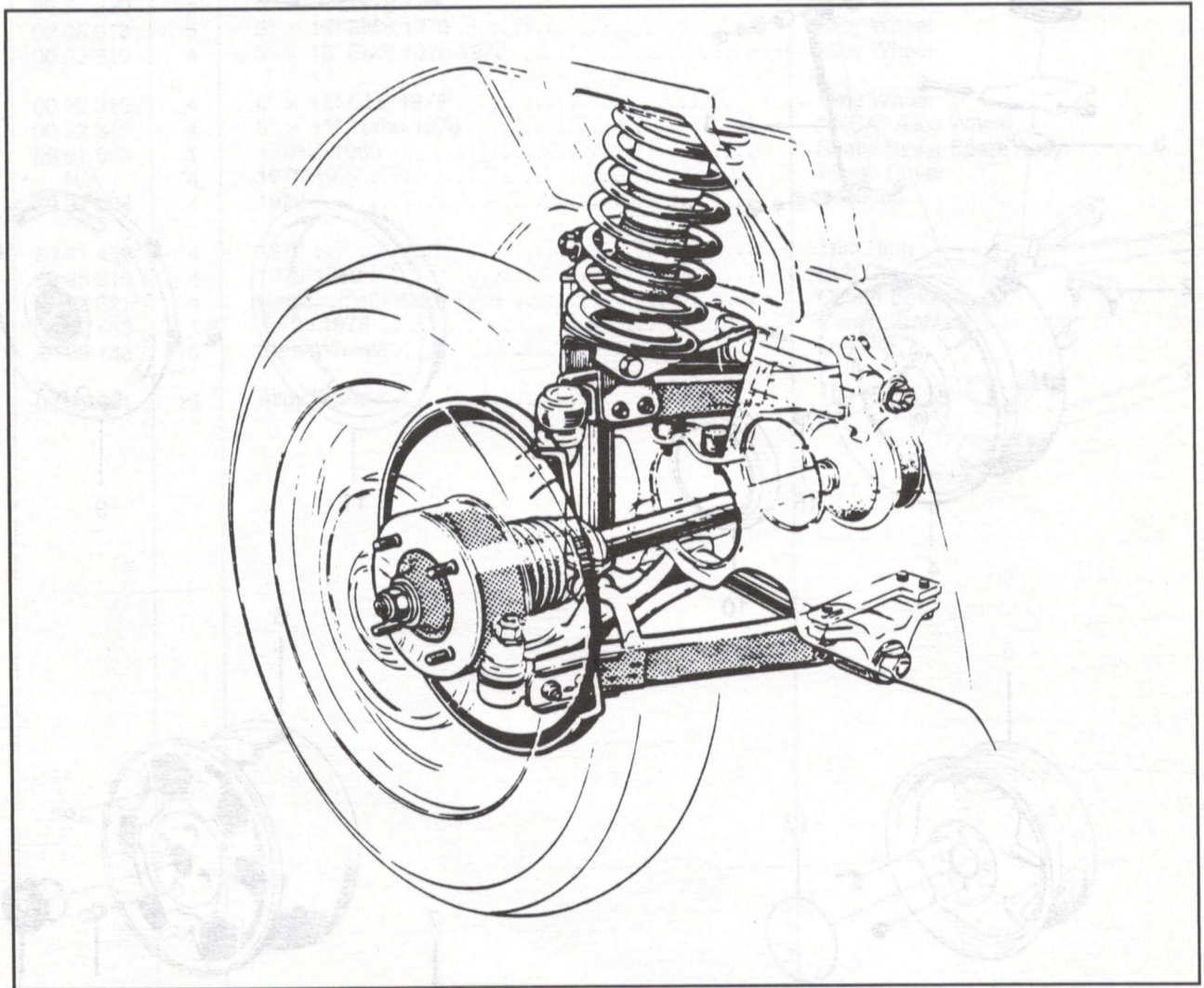
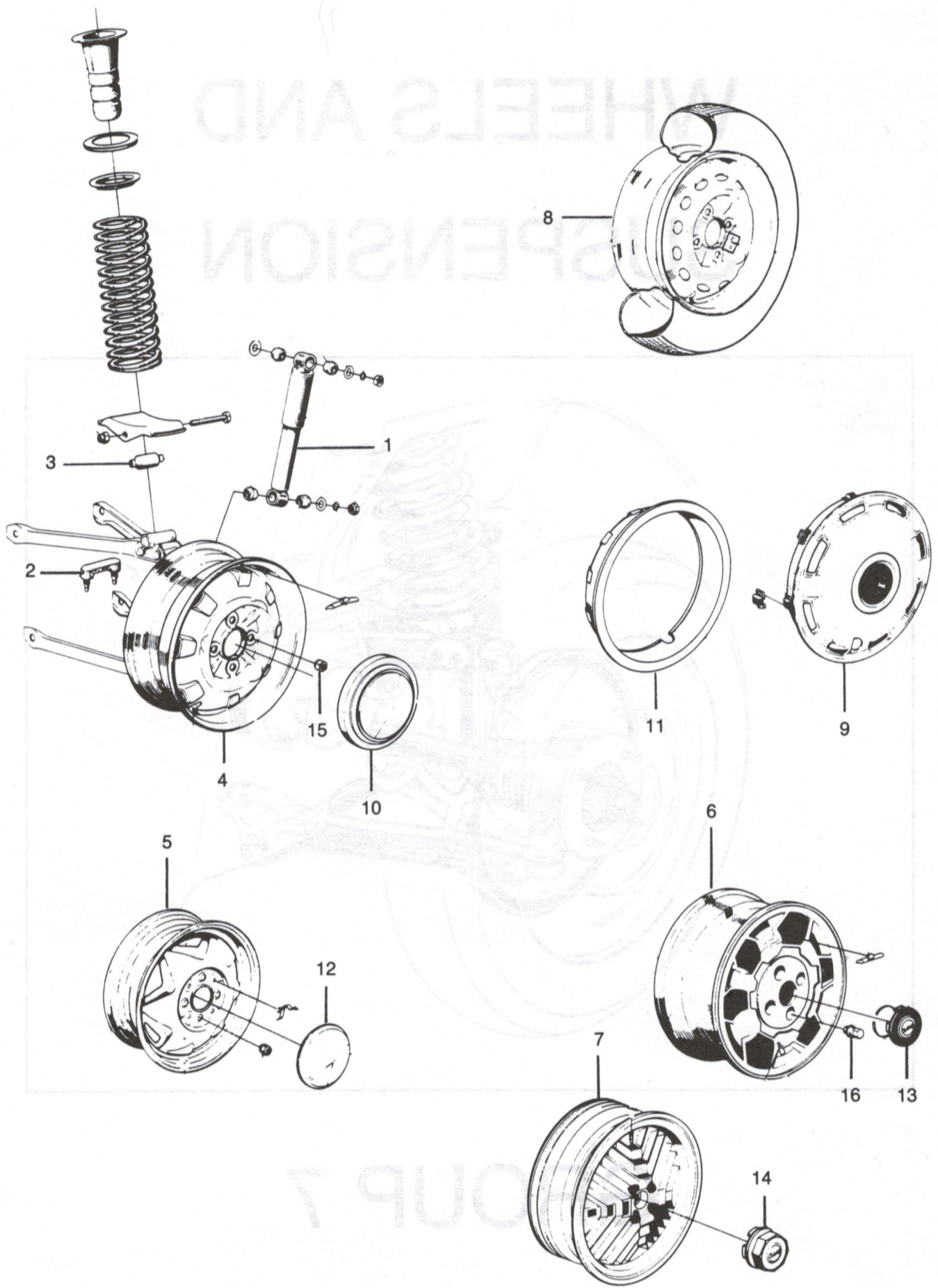


WHEELS AND SUSPENSION



GROUP 7



WHEELS AND SUSPENSION

Wheels/Front Shocks

Group

Page

7

1

Fig. Pos.	Part No.	Qty.	Notes	Description
1	89 93 271	2	Hydraulic Type	Shock Absorber Kit
1	89 32 931	2	EMS, Turbo, 1976-78, Gas Type	Shock Absorber Kit
2	89 09 152	2	Lower Buffer
3	89 31 974	2	Bushing
4	89 94 717	5	(89 24 300) 5" x 15" 1975-1978	Steel Wheel
4	89 94 717	1	5" x 15" Spare for alloy wheel cars 1977½-1978 .	Steel Wheel
5	89 34 820	5	5" x 15" 1979-1980	Steel Wheel
6	02 05 013	5	5" x 15" EMS 1975	Alloy Wheel
6	00 22 319	4	5" x 15" EMS 1976-1978	Alloy Wheel
6	00 22 319	4	5" x 15" GLE 1978	Alloy Wheel
7	00 22 343	4	5" x 15" Turbo 1978	"INCA" Alloy Wheel
8	89 91 598	1	1979½-1980	Space Saver Spare Assy.
9	N/A	4	1975-1977	Wheel Cover
10	89 27 204	4	1978	Hub Cap
11	89 41 452	4	1978	Trim Ring
12	89 35 819	4	1979-1980	Hub Cap
13	00 22 327	4	Replacement Black Type	Center Emblem
14	00 22 483	4	Turbo 1978	Center Emblem
15	89 09 145	16	Steel Wheels	Lug Nut
16	02 05 021	16	Alloy Wheels	Lug Nut

WHEELS AND SUSPENSION

Rear Axle

Group

Page

7

2

Fig. Pos.	Part No.	Qty.	Notes	Description
1	89 94 915	2	1975-1978	Shock Absorber Kit
1	89 32 949	2	EMS, Turbo 1976-1978	Shock Absorber Kit
2	89 93 032	2	1979-1980	Shock Absorber Kit
3	89 31 982	2	1975-1978	Bushing
3	89 35 298	2	1979-1980	Bushing
4	89 31 974	2	1975-1978	Bushing
4	89 35 306	2	1979-1980	Bushing
5	89 08 675	2	Bushing
6	89 32 741	2	Bushing
7	89 32 014	1	Bushing
8	89 32 014	1	1975	Bushing
8	89 30 307	1	1976-1980	Bushing
9	89 21 785	2	1975-1978	Lock Nut
9	89 34 697	2	1979-1980	Lock Nut